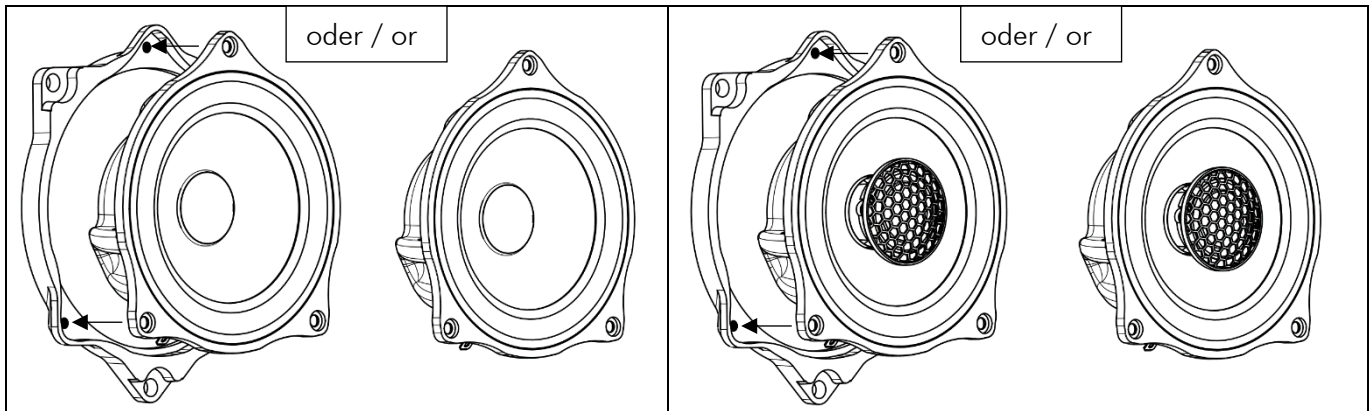


### BMW - Kompatibilitätsliste / Compatibility list



Für einige Fahrzeugmodelle ist die Montage des mitgelieferten Montageringes notwendig. Dieser wird von hinten mit dem Lautsprecher verschraubt und anschließend im Fahrzeug verbaut.

For some vehicle models it is required to mount the supplied mounting ring. The ring is screwed to the loudspeaker from behind and then installed in the vehicle.

MINI				
Model / Mounting position	Front Doors	Rear Doors	Center Speaker	Central Bass
R60 Countryman R61 Paceman F54 Clubman F55 5-door hatchback F56 3-door hatchback F57 2-door cabriolet F60 Countryman	GZCS 100.2BMW* 2-way component system  GZCS F-4.0BMW 2-way coaxial loudspeaker	GZCS 100.2BMW* 2-way component system  GZCS F-4.0BMW 2-way coaxial loudspeaker	n/a  GZCS BMW-CENTER* 2-way coaxial loudspeaker	GZCS 200BMW-SW 2-ohms impedance  GZCS 200BMW-SW4 4-ohms impedance

\*Note: Only cars with OEM Top-Hifi system offer the original tweeter and center speaker mounting position!

BMW Z4				
Model / Mounting position	Front Doors	Rear / Trunk Wall	Center Speaker	Central Bass
E89 Roadster G29 Roadster	GZCS 100.2BMW 2-way component system  GZCS F-4.0BMW 2-way coaxial loudspeaker	GZCS F-4.0BMW 2-way coaxial loudspeaker	GZCS BMW-CENTER 2-way coaxial loudspeaker	n/a  GZCS 200BMW-SW / GZCS 200BMW-SW4

BMW 1 series					
Model / Mounting position	Front Doors	Rear Doors	Center Speaker	Rear Shelf or Side Panel	Central Bass
E81 3-door hatchback E82 Coupé E87 5-door hatchback E88 Cabriolet	GZCS 100.2BMW* 2-way component system  GZCS F-4.0BMW 2-way coaxial loudspeaker	n/a	n/a	GZCS F-4.0BMW 2-way coaxial loudspeaker	GZCS 200BMW-SW 2-ohms impedance
F20 5-door hatchback F21 3-door hatchback					
F40 5-door hatchback		GZCS 100.2BMW* GZCS F-4.0BMW	GZCS BMW-CENTER* 2-way coaxial loudspeaker	n/a	GZCS 200BMW-SW4 4-ohms impedance
F52 4-door sedan					

\*Note: Only cars with OEM Top-Hifi system may offer the original tweeter and center speaker mounting positions!

BMW 2 series					
Model / Mounting position	Front Doors	Rear Doors	Center Speaker	Rear Shelf or Side Panel	Central Bass
F22 Coupé F23 Cabriolet F44 Gran Coupé F45 Active Tourer F46 Gran Tourer F87 M2 Coupé G42 Coupé U06 Active Tourer	GZCS 100.2BMW 2-way component system  GZCS F-4.0BMW 2-way coaxial loudspeaker	n/a	GZCS BMW-CENTER* 2-way coaxial loudspeaker	GZCS F-4.0BMW 2-way coaxial loudspeaker	GZCS 200BMW-SW 2-ohms impedance  GZCS 200BMW-SW4 4-ohms impedance
		GZCS 100.2BMW / GZCS F-4.0BMW		n/a	
		n/a		GZCS F-4.0BMW 2-way coaxial loudspeaker	
		GZCS 100.2BMW / GZCS F-4.0BMW		n/a	

\*Note: Only cars with OEM Top-Hifi system may offer the original tweeter and center speaker mounting positions!

BMW 3 series					
Model / Mounting position	Front Doors	Rear Doors	Center Speaker	Rear Shelf or Side Panel	Central Bass
E90 Sedan E91 Touring E92 Coupé E93 Cabriolet F30 Sedan F31 Touring F34 Gran Turismo F35 Sedan Long Version F80 M3 Sedan G20 Sedan G21 Touring G28 Sedan G80 M3 Sedan	GZCS 100.2BMW 2-way component system  GZCS F-4.0BMW 2-way coaxial loudspeaker	n/a	GZCS BMW-CENTER 2-way coaxial loudspeaker	GZCS F-4.0BMW	GZCS 200BMW-SW 2-ohms impedance  GZCS 200BMW-SW4 4-ohms impedance
		GZCS 100.2BMW / GZCS F-4.0BMW		n/a	
		n/a		GZCS F-4.0BMW 2-way coaxial loudspeaker	
		GZCS 100.2BMW GZCS F-4.0BMW		n/a	
				GZCS F-4.0BMW 2-way coaxial loudspeaker	
				n/a	
		GZCS F-4.0BMW 2-way coaxial loudspeaker			

\*Note: Only cars with OEM Top-Hifi system may offer the original rear shelf mounting positions!

BMW 4 series					
Model / Mounting position	Front Doors	Rear Doors	Center Speaker	Rear Shelf or Side Panel	Central Bass
F32 Coupé F33 Cabriolet F36 Gran Coupé F82 M4 Coupé F83 M4 Cabriolet G22 Coupé G23 Cabriolet	GZCS 100.2BMW 2-way component system  GZCS F-4.0BMW 2-way coaxial loudspeaker	n/a	GZCS BMW-CENTER 2-way coaxial loudspeaker	GZCS F-4.0BMW* 2-way coaxial loudspeaker	GZCS 200BMW-SW 2-ohms impedance  GZCS 200BMW-SW4 4-ohms impedance
		GZCS 100.2BMW / GZCS F-4.0BMW			
		n/a			

\*Note: Only cars with OEM Top-Hifi system may offer the original rear shelf mounting positions!

BMW 5 series					
Model / Mounting position	Front Doors	Rear Doors	Center Speaker	Rear Shelf or Headliner	Central Bass
E60 Sedan E61 Touring F07 Gran Turismo F10 Sedan (F18) F11 Touring G30 Sedan (G38) G31 Touring	GZCS 100.2BMW 2-way component system  GZCS F-4.0BMW 2-way coaxial loudspeaker	GZCS F-4.0BMW 2-way coaxial loudspeaker	GZCS BMW-CENTER 2-way coaxial loudspeaker	GZCS F-4.0BMW 2-way coaxial loudspeaker	GZCS 200BMW-SW 2-ohms impedance  GZCS 200BMW-SW4 4-ohms impedance
		GZCS 100.2BMW GZCS F-4.0BMW			
		n/a			

BMW 6 series					
Model / Mounting position	Front Doors	Rear Doors	Center Speaker	Rear Shelf or Side Panel	Central Bass
E63 Coupé E64 Cabriolet F06 Gran Coupé F12 Coupé F13 Cabriolet G32 Gran Turismo	GZCS 100.2BMW 2-way component system  GZCS F-4.0BMW 2-way coaxial loudspeaker	n/a	GZCS BMW-CENTER 2-way coaxial loudspeaker	GZCS F-4.0BMW 2-way coaxial loudspeaker	GZCS 200BMW-SW 2-ohms impedance  GZCS 200BMW-SW4 4-ohms impedance
		GZCS 100.2BMW / GZCS F-4.0BMW			
		n/a			
		GZCS 100.2BMW / GZCS F-4.0BMW		n/a	

BMW 7 series					
Model / Mounting position	Front Doors	Rear Doors	Center Speaker	Rear Shelf or Side Panel	Central Bass
E65 Sedan E66 Sedan Long Version	GZCS 100.2BMW 2-way component system	GZCS 100.2BMW	GZCS BMW-CENTER 2-way coaxial loudspeaker	n/a	GZCS 200BMW-SW 2-ohms impedance

F01 Sedan F02 Sedan Long Version G11 Sedan G12 Sedan Long Version	GZCS F-4.0BMW 2-way coaxial loudspeaker	GZCS F-4.0BMW		GZCS F-4.0BMW 2-way coaxial loudspeaker	GZCS 200BMW-SW4 4-ohms impedance
--	--	---------------	--	--	-------------------------------------

BMW 7 series					
Model / Mounting position	Front Doors	Rear Doors	Center Speaker	Rear Shelf or Side Panel	Central Bass
E65 Sedan E66 Sedan Long Version F01 Sedan F02 Sedan Long Version G11 Sedan G12 Sedan Long Version	GZCS 100.2BMW 2-way component system  GZCS F-4.0BMW 2-way coaxial loudspeaker	GZCS 100.2BMW  GZCS F-4.0BMW	GZCS BMW-CENTER 2-way coaxial loudspeaker	n/a  GZCS F-4.0BMW 2-way coaxial loudspeaker	GZCS 200BMW-SW 2-ohms impedance  GZCS 200BMW-SW4 4-ohms impedance

BMW 8 series					
Model / Mounting position	Front Doors	Rear Doors	Center Speaker	Rear Shelf or Side Panel	Central Bass
G14 Cabriolet G15 Coupé G16 Gran Coupé ----- I12 i8 Roadster	GZCS 100.2BMW 2-way component system  GZCS F-4.0BMW 2-way coaxial loudspeaker	n/a  GZCS 100.2BMW / GZCS F-4.0BMW  n/a	GZCS BMW-CENTER 2-way coaxial loudspeaker	n/a  GZCS F-4.0BMW 2-way coaxial loudspeaker	GZCS 200BMW-SW 2-ohms impedance  GZCS 200BMW-SW4 4-ohms impedance

BMW X1 series					
Model / Mounting position	Front Doors	Rear Doors	Center Speaker	Rear Shelf or Side Panel	Central Bass
E84 SUV F48 SUV F49 SUV Long Version U11 SUV & iX1 SUV	GZCS 100.2BMW 2-way component system  GZCS F-4.0BMW 2-way coaxial loudspeaker	n/a  GZCS 100.2BMW GZCS F-4.0BMW	GZCS BMW-CENTER 2-way coaxial loudspeaker	GZCS F-4.0BMW  n/a	GZCS 200BMW-SW 2-ohms impedance  GZCS 200BMW-SW4 4-ohms impedance

BMW X2 series					
Model / Mounting position	Front Doors	Rear Doors	Center Speaker	Rear Shelf or Side Panel	Central Bass
F39 SUV	GZCS 100.2BMW 2-way component system  GZCS F-4.0BMW 2-way coaxial loudspeaker	GZCS 100.2BMW 2-way component system  GZCS F-4.0BMW 2-way coaxial loudspeaker	GZCS BMW-CENTER 2-way coaxial loudspeaker	n/a	GZCS 200BMW-SW 2-ohms impedance  GZCS 200BMW-SW4 4-ohms impedance

BMW X3 series					
Model / Mounting position	Front Doors	Rear Doors	Center Speaker	Headlining / Pillar	Central Bass
E83 SUV F25 SUV G01 SUV F97 X3 M SUV G08 iX3 SUV	GZCS 100.2BMW 2-way component system  GZCS F-4.0BMW 2-way coaxial loudspeaker	GZCS 100.2BMW 2-way component system  GZCS F-4.0BMW 2-way coaxial loudspeaker	n/a  GZCS BMW-CENTER 2-way coaxial loudspeaker	n/a  GZCS F-4.0BMW  n/a	GZCS 200BMW-SW 2-ohms impedance  GZCS 200BMW-SW4 4-ohms impedance

BMW X4 series					
Model / Mounting position	Front Doors	Rear Doors	Center Speaker	Headlining / Pillar	Central Bass
F26  G02	GZCS 100.2BMW 2-way component system  GZCS F-4.0BMW 2-way coaxial loudspeaker	GZCS 100.2BMW 2-way component system  GZCS F-4.0BMW 2-way coaxial loudspeaker	GZCS BMW-CENTER 2-way coaxial loudspeaker	GZCS F-4.0BMW 2-way coaxial loudspeaker  n/a	GZCS 200BMW-SW 2-ohms impedance  GZCS 200BMW-SW4 4-ohms impedance

BMW X5 series					
Model / Mounting position	Front Doors	Rear Doors	Center Speaker	Headlining / Pillar	Central Bass
E70 SUV  G05 SUV  F15 SUV  F85 X5 M SUV	GZCS 100.2BMW 2-way component system  GZCS F-4.0BMW 2-way coaxial loudspeaker  n/a	GZCS 100.2BMW 2-way component system  GZCS F-4.0BMW 2-way coaxial loudspeaker  n/a	GZCS BMW-CENTER 2-way coaxial loudspeaker	n/a  GZCS F-4.0BMW 2-way coaxial loudspeaker	GZCS 200BMW-SW 2-ohms impedance  GZCS 200BMW-SW4 4-ohms impedance

BMW X6 series					
Model / Mounting position	Front Doors	Rear Doors	Center Speaker	Headlining / Pillar	Central Bass
E71 SUV (E72)	GZCS 100.2BMW 2-way component system	GZCS 100.2BMW 2-way component system	GZCS BMW-CENTER 2-way coaxial loudspeaker	n/a	GZCS 200BMW-SW / GZCS 200BMW-SW4
G06SUV	GZCS F-4.0BMW 2-way coaxial loudspeaker	GZCS F-4.0BMW 2-way coaxial loudspeaker		GZCS F-4.0BMW 2-way coaxial loudspeaker	n/a
F16 SUV	n/a	n/a			GZCS 200BMW-SW / GZCS 200BMW-SW4

BMW X7 series				
Model / Mounting position	Front Doors	Rear Doors	Center Speaker	Central Bass
G07SUV	GZCS 100.2BMW 2-way component system  GZCS F-4.0BMW 2-way coaxial loudspeaker	GZCS 100.2BMW 2-way component system  GZCS F-4.0BMW 2-way coaxial loudspeaker	GZCS BMW-CENTER 2-way coaxial loudspeaker	GZCS 200BMW-SW 2-ohms impedance  GZCS 200BMW-SW4 4-ohms impedance

BMW iX				
Model / Mounting position	Front Doors	Rear Doors	Center Speaker	Central Bass
i20 iX SUV	GZCS 100.2BMW 2-way component system  GZCS F-4.0BMW 2-way coaxial loudspeaker	GZCS 100.2BMW 2-way component system  GZCS F-4.0BMW 2-way coaxial loudspeaker	GZCS BMW-CENTER 2-way coaxial loudspeaker	GZCS 200BMW-SW 2-ohms impedance  GZCS 200BMW-SW4 4-ohms impedance