

1

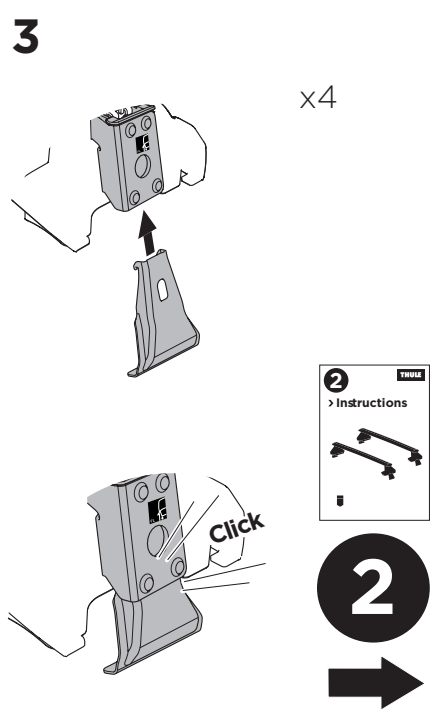
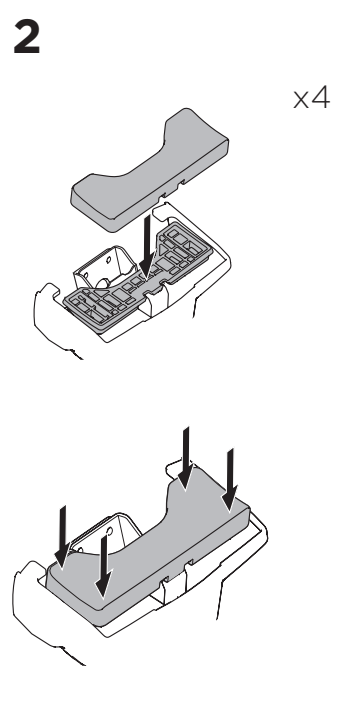
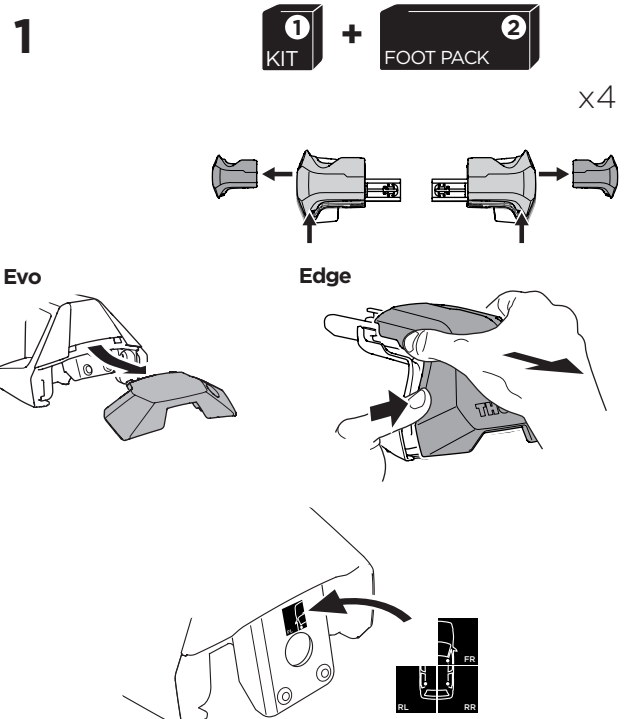
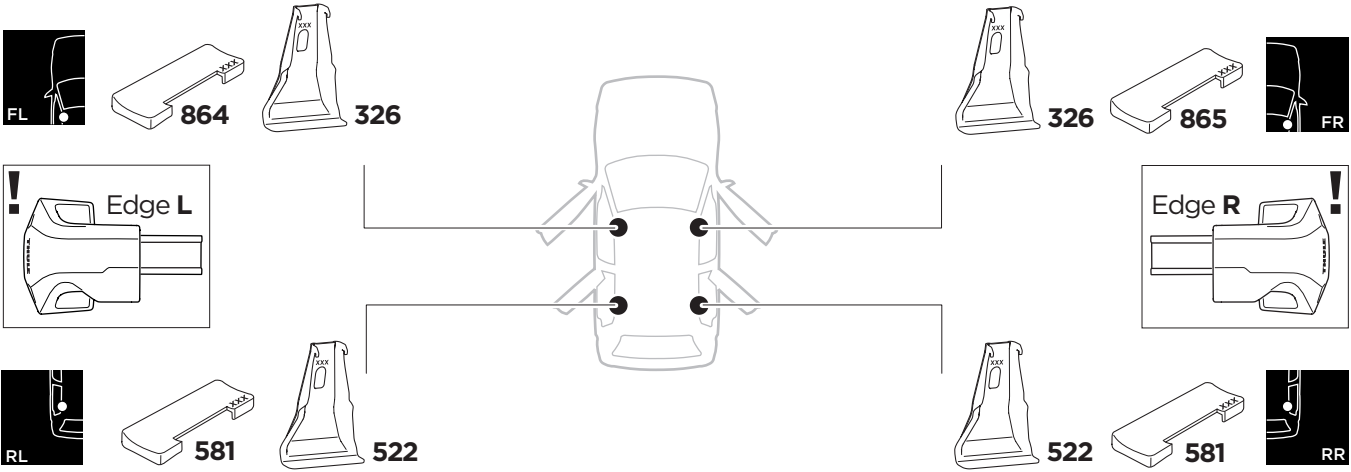
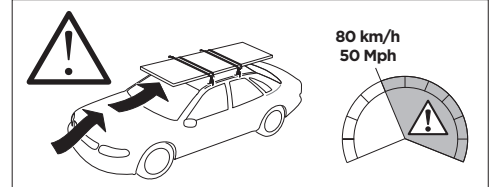
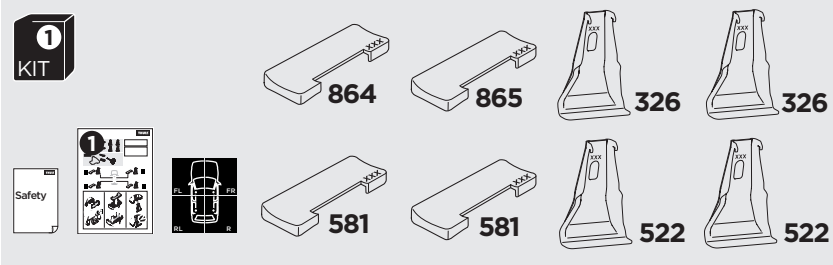
Kit 145307

AUDI e-tron, 5-dr SUV, 19-23

AUDI Q8 e-tron, 5-dr SUV, 23-

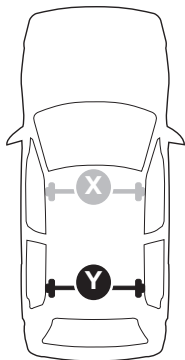


ISO 11154-E





| | | | | | |
|--------------------------------------|--------------------|---------------|---------------------|--------------------------|-----------------------|
| THULE WingBar Evo | THULE WingBar Edge | THULE WingBar | THULE SquareBar Evo | Evo X (scale) | Edge X (scale) |
| AUDI e-tron, 5-dr SUV, 19-23 | | | | 45 | G |
| AUDI Q8 e-tron, 5-dr SUV, 23- | | | | 45 | G |
| THULE ProBar Evo | THULE SlideBar Evo | | | X (mm/inch) | |
| AUDI e-tron, 5-dr SUV, 19-23 | | | | 1101 mm / 43 3/8" | |
| AUDI Q8 e-tron, 5-dr SUV, 23- | | | | 1101 mm / 43 3/8" | |



| | | | | | |
|--------------------------------------|--------------------|---------------|---------------------|--------------------------|-----------------------|
| THULE WingBar Evo | THULE WingBar Edge | THULE WingBar | THULE SquareBar Evo | Evo Y (scale) | Edge Y (scale) |
| AUDI e-tron, 5-dr SUV, 19-23 | | | | 41 | O |
| AUDI Q8 e-tron, 5-dr SUV, 23- | | | | 41 | O |
| THULE ProBar Evo | THULE SlideBar Evo | | | Y (mm/inch) | |
| AUDI e-tron, 5-dr SUV, 19-23 | | | | 1061 mm / 41 3/4" | |
| AUDI Q8 e-tron, 5-dr SUV, 23- | | | | 1061 mm / 41 3/4" | |

| | W (mm/inch) | Z (mm/inch) |
|--------------------------------------|-------------------------|-------------------------|
| AUDI e-tron, 5-dr SUV, 19-23 | 800 mm / 31 1/2" | 270 mm / 10 5/8" |
| AUDI Q8 e-tron, 5-dr SUV, 23- | 800 mm / 31 1/2" | 270 mm / 10 5/8" |

